

REC FLOOD



FEATURES

HIGH EFFICIENCY, LIGHT WEIGHT SPORTS LIGHTING LUMINAIRE.

The RecFlood was designed to provide 1 for 1 replacement of traditional 1500W HID luminaires with minimum energy consumption. At only 460W, the RecFlood offers energy savings of up to 70% over traditional lamp based technology. Available in 300, 400 and 460W version, the RecFlood is the idea solution for an affordable and efficient retrofit of integral ballast HID sports lighting luminaires.

- » Standard 0-10v dimming
- » Standard 10kv, 10ka surge protection
- » Compact dimensions
- » Standard glare control top visor
- » Up to 160 lumens per watt
- » Integral driver operation



ORDERING GUIDE

EX: RF-F-300-BK-30-70-15D-1-PA

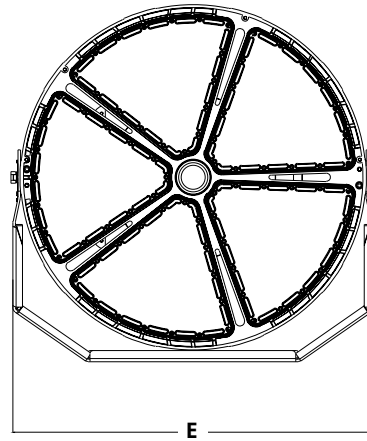
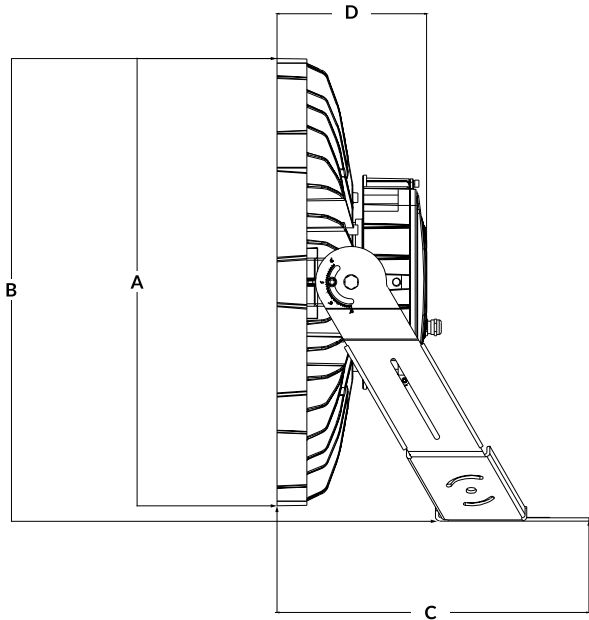
PRODUCT	MOUNTING	WATTAGE	FINISH	CCT	CRI	BEAM	INPUT VOLTAGE	OPTIONS
RF								
RF REC FLOOD	F FLOOD	300 300	BK BLACK	30 3000K	70 70	15D 15 DEGREE	1 120V - 277V	PA 3 PIN RECEPTACLE
	H HIGH BAY	400 400	GR GREY	40 4000K	80 80	30D 30 DEGREE	2 347V - 480V	PB 5 PIN RECEPTACLE
		460 460	WH WHITE	50 5000K		60D 60 DEGREE		PC 7 PIN RECEPTACLE
				57 5700K				DTO DIM TO OFF
								WL WILUME CONTROLS

RECFLOOD

HIGH EFFICIENCY, LIGHT WEIGHT SPORTS LIGHTING LUMINAIRE.



DIMENSIONS



LOADING		
WEIGHT	EPA (HORIZONTAL)	EPA (25R DEGREES DOWN)
45	3.2	3.0
45	3.0	2.8

DIMENSIONS IN INCHES	
RECFLOOD	
A	22"
B	23"
C	12"
D	7"
E	23"

SPECIFICATIONS

GENERAL DESCRIPTION

The RecFlood is a high efficiency, compact and economical LED flood light specifically designed for the needs of parks and recreation and general flood lighting markets. The complete luminaire is UL Listed to UL1598 with a maximum ambient operating temperature of 50C. The driver and LED housings are fabricated of heavy duty die cast aluminum. The complete luminaire assembly is IP65 rated and is manufactured in an ISO 9001:2000 certified production facility.

HOUSING

To ensure long life of the drivers, the driver housing is thermally isolated from the LED housing. To increase cooling efficiency, the housing utilizes integrally cast cooling fins. The housing mounts to the support structure with a heavy gauge steel trunion. The trunion is designed to push the fixture forward for improved clearance and minimize light blockage. The trunion also includes vertical aiming indication on each side of the luminaire for precision up/down adjustments.

ELECTRICAL SYSTEM

The drivers accept the specified line voltage, to within +/- 10% without the aid of an integral step down transformer. The drivers include integral transient surge protection in accordance with IEEE C62.41 4kV/4kV. The LED drivers have a minimum power factor of 0.90 with a Total Harmonic Distortion no greater than 20%. Drivers come standard with 0-10V dimming leads. The system includes a secondary surge protection system with supplementary coverage in accordance with IEEE C62.41.2 C High (10kA and 10kV Standard, 20kV is optional). The drivers include standard 1-10V dimming input and can dim to 10% output.

OPTIC ASSEMBLY

Each LED is provided with a dedicated precision cast optical constructed of PMMA. The standard top visor helps to minimize up light, spill light and glare. The visor is provided in a flat black finish to absorb, rather than reflect, spill light thereby eliminating secondary glare. The LEDs generate the specified color temperature with a tolerance of no more than +/-6.5% to ensure consistent color across the project. All CRI offerings are stated as minimum, typical CRI will be higher or equal to published minimum.

WARRANTY

The entire product shall be covered by a minimum five (5) year limited fixture warranty. Longer term warranties are available, contact CHM for additional details.

RECFLLOOD

HIGH EFFICIENCY, LIGHT WEIGHT SPORTS LIGHTING LUMINAIRE.



SUPPLEMENTARY

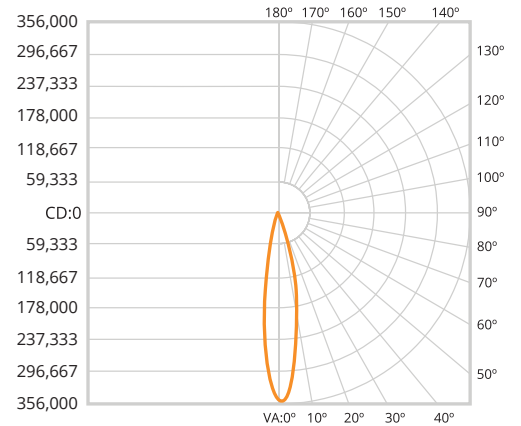
OUTPUT TABLE

CCT	CRI	DISTRIBUTION	LUMENS	BEAM	FIELD	NEMA	LPW
5000	70	15D	61303	15	30	2X2	133
5000	70	30D	73289	20	41	3X3	159
5000	70	60D	74488	31	55	4X4	162

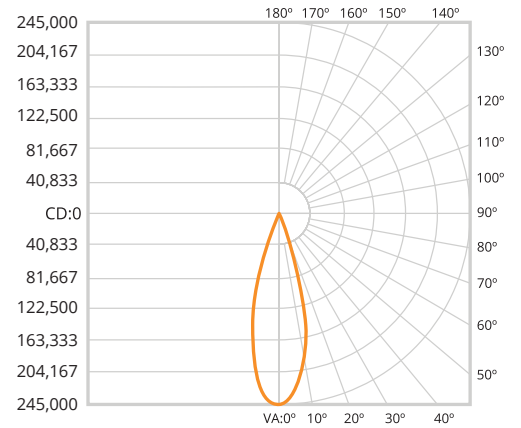
LUMEN OUTPUT CORRECTION FACTOR

CCT	CRI	LOCF
3000	70	0.950
3000	80	0.900
4000	70	1.000
4000	80	0.950
5000	70	1.000
5000	80	0.950
5700	70	1.013
5700	80	0.950

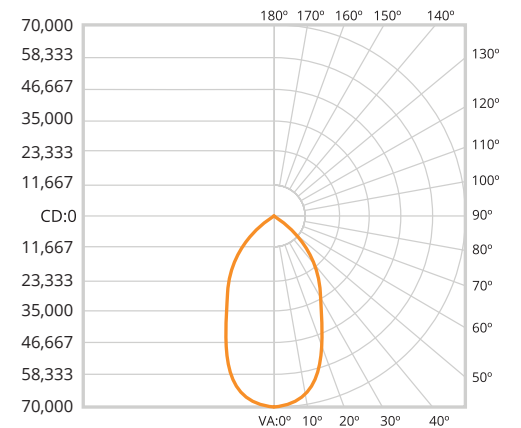
CANDELA PLOTS



MAX CD: 135° H



0° H



0° H